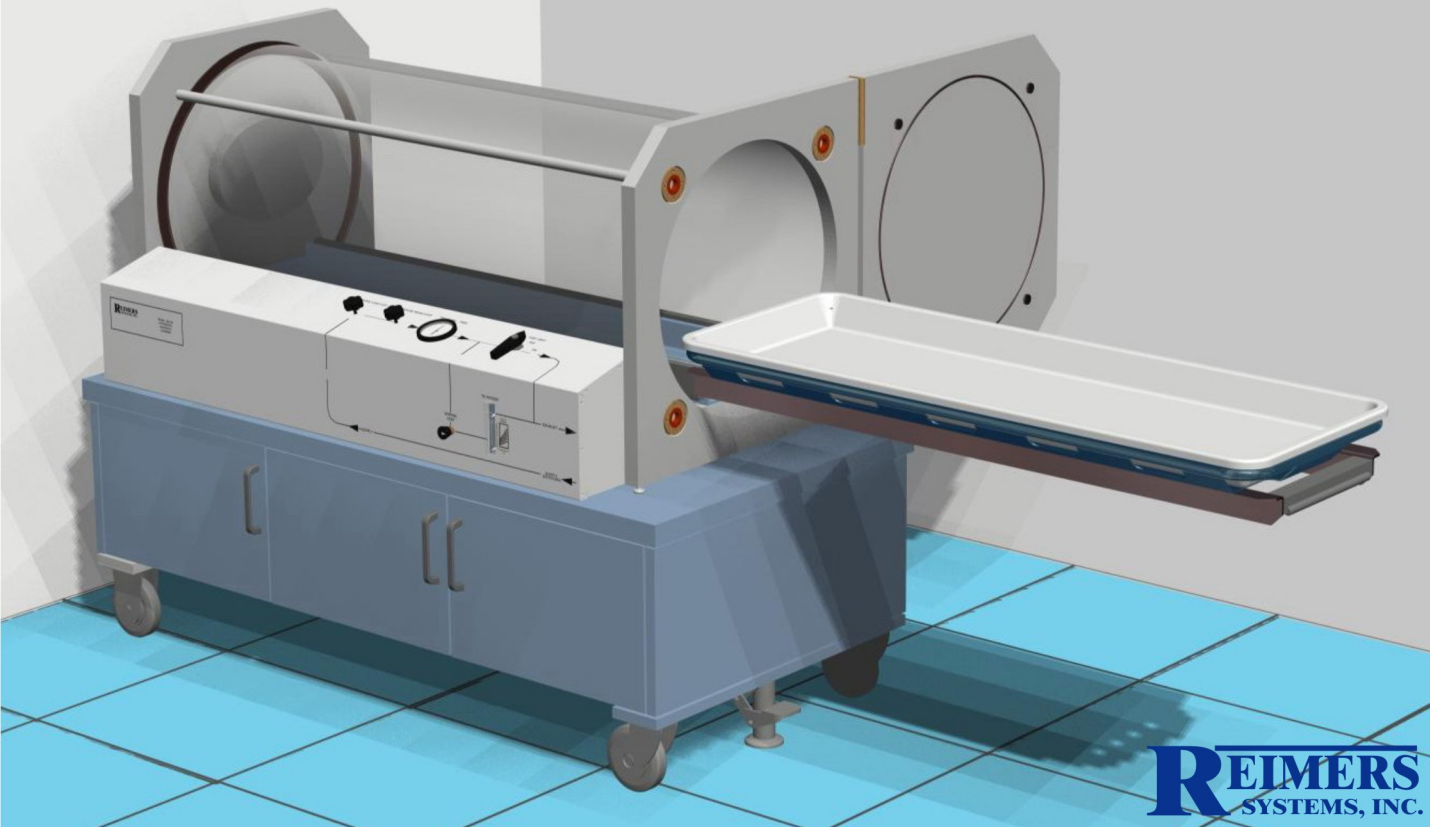


**VETERINARY
HYPERBARIC CHAMBER
MODEL 2560**



RSI Model 2560 veterinary hyperbaric chamber is ideal for treating small and medium size animals weighing up to 150 lbs.

Special Features:

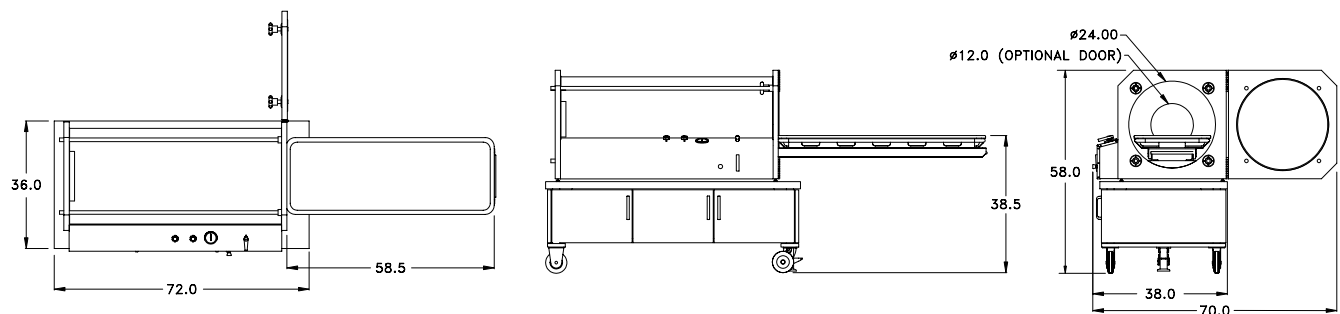
- Cylindrical acrylic window for maximum visibility
- Simple, attractive control panel and easy to use controls
- Mounted on wheeled cart for easy movement
- Suitable for use with 100% oxygen
- Pressure control and constant ventilation capability built-in
- Easy to use pull out tray assembly. Tray slides on a pair of slides and can be removed easily if needed to work on the animal on a separate work bench
- Scratch protection cover along the interior surface of acrylic window to avoid scratches from the animal
- Optional 12" access door on the rear head
- Unique sealing system prevents pressurization without full engagement of door restraints. It also prevents opening the door without fully depressurizing the chamber

Technical Specifications of RSI Model 2560 Veterinary Hyperbaric Chamber

Maximum Operating Pressure	30 psig (3 ATA, 66 fsw, 0.2 MPa, 2.1 kg/cm ²)	
Construction Code	Built and Stamped, ASME PVHO	
Gas Supply Pressure	50 - 250 psig (0.68 -1.72 MPa, 7.0- 17.5 kg/cm ²)	
Design Temperature Range	50-100 °F (10-38 °C)	
External Dimensions	Chamber Only	With Undercarriage
Length	67.5 in (171.5 cm)	72.0 in (182.8 cm)
Height	31.5 in (80.0 cm)	58.0 in (147.3 cm)
Depth	38.0 in (96.5 cm)	38.0 in (96.5 cm)
Internal Dimensions		
Diameter	25.0 in (63.5 cm)	
Length	60.0 in (152.4 cm)	
Pull-out Tray (Removable)		
Dimensions	58.5 in Length x 21.5 in Width (148.5 cm x 54.6 cm)	
Load Capacity	300 lbs (136 kg) (at mid point)	
Door Clear Opening Diameter	Main Door	24.0 in (69.9 cm)
	Optional Access Door	12.0 in (30.4 cm)
Internal Volume	17 ft ³ (0.48 m ³)	
Weight (Approx.)		
Chamber Only	975 lbs. (442 kg)	
With undercarriage	1175 lbs (533 kg)	
Ventilation Rate (Purge Flow Rate)	0 - 300 SCFH (0- 141.5 SLPM)	
Compression/Decompression Rate	1.0 - 5.0 psig/min (0.01- 0.03 MPa/min, 0.1-0.4 kg/cm ² /min)	
Utility Penetrators (SAE Straight Thread)		
Door	4 (3/4"-16 UNC, 1/2" OD tube size)	
Right End Head	2 (1 1/16"-12, 3/4" OD tube size)	
	(Number of penetrators and their locations can be customized per user requirements)	
Materials		
Shell	PVHO Grade Acrylic	
Heads & Door	6061 Aluminum	
Tubing	Copper	
Fittings	Brass & Stainless Steel	
Tray	Stainless Steel	

Options:

- Chamber Internal Temperature Indicator with fast-response thermistor probe
- 20 pin Electrical feed-thru
- Set of unwired connectors (for custom cable assemblies)
- IV feed Thru
- No undercarriage



Copyright Reimers Systems, Inc.
All rights reserved

Typical Installations

Model 2560 veterinary hyperbaric chamber is typically installed as shown in the layout below. The layout should be taken as installation guidelines only as it may not reflect all applicable state or city requirements. Depending on the jurisdiction the oxygen service for the chamber and the installation of the chamber may require plan approval from the local building department and or fire department. Some states also require the vessel to be registered with the state and require periodic inspection by the state office of boiler & pressure vessel inspector.

